

CUMHURBAŞKANI KARARI



Karar Sayısı: 9643

Adana, Antalya, Bursa, Elazığ, Isparta, Kahramanmaraş, Konya, Mersin, Muğla, Sinop, Trabzon ve Yozgat illerinde bulunan bazı alanların orman sınırları dışına çıkartılması hakkındaki ekli Kararın yürürlüğe konulmasına, 6831 sayılı Orman Kanununun ek 16 ncı maddesi gereğince karar verilmiştir.

20 Mart 2025

Recep Tayyip ERDOĞAN
CUMHURBAŞKANI

**20/3/2025 TARİHLİ VE 9643 SAYILI CUMHURBAŞKANI KARARININ EKİ
KARAR**

Orman sınırı dışına çıkartılan alanlar

MADDE 1- (1) Adana, Antalya, Bursa, Elazığ, Isparta, Kahramanmaraş, Konya, Mersin, Muğla, Sinop, Trabzon ve Yozgat illerinde bulunan ve ekli krokiler ile listelerde sınır ve koordinatları gösterilen alanların orman sınırları dışına çıkartılmasına karar verilmiştir.

(2) Birinci fıkra kapsamında orman sınırları dışına çıkartılan alanların iki katından az olmamak üzere Devletin hüküm ve tasarrufu altında veya Hazinesinin özel mülkiyetinde bulunan taşınmazlardan Çevre, Şehircilik ve İklim Değişikliği Bakanlığı (Milli Emlak Genel Müdürlüğü) tarafından Orman Genel Müdürlüğüne orman tesis etmek üzere tahsis yapılır.

Yürürlük

MADDE 2- (1) Bu Karar yayımı tarihinde yürürlüğe girer.

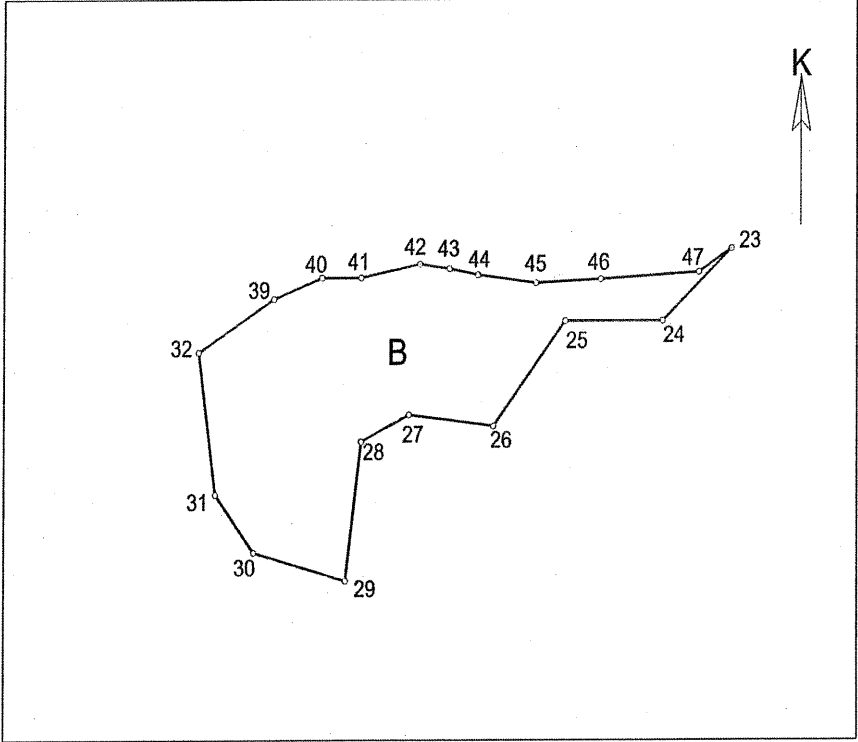
Yürütme

MADDE 3- (1) Bu Karar hükümlerini Cumhurbaşkanı yürütür.

İli
İlçesi
Mahallesi

ADANA
POZANTI
YENİKONACIK

RÖLEVE KROKİSİ



DATUM : ITRF-96 D.O.M. : 36 Projeksiyon : UTM 3 derece

Ada	Parsel	Noktalar	HesapAlan
103	19-B	23,24,25,26,27,28,29,30,31,32, 39,40,41,42,43,44,45,46,47	30304.15

NoktaNo	Y	X	NoktaNo	Y	X
23	400179.71	4146087.37	24	400130.63	4146043.54
25	400061.38	4146043.54	26	400010.08	4145980.27
27	399949.38	4145987.11	28	399915.18	4145970.87
29	399904.06	4145887.08	30	399838.23	4145904.18
31	399810.87	4145939.23	32	399798.90	4146024.73
39	399852.78	4146057.05	40	399887.13	4146069.91
41	399915.09	4146069.91	42	399957.18	4146078.13
43	399978.45	4146075.34	44	399998.79	4146071.59
45	400040.48	4146066.69	46	400086.64	4146068.96
47	400156.49	4146073.05			

Bölge Müdürlüğü : Antalya

İli : Antalya

İşletme Müdürlüğü : Konyaaltı

İlçesi : Konyaaltı

İşletme Şefliği : Konyaaltı

Mahallesi : Çakırlar ve Suçiçek

KOORDİNE ÖZET ÇİZELGESİ

NoktaNo	Y	X	NoktaNo	Y	X
1	550813.64	4081100.83	2	550979.08	4080842.77
3	550810.42	4080783.21	4	550620.18	4080726.24
5	550567.04	4080713.20	6	550517.01	4080704.09
7	550506.15	4080692.68	8	550500.31	4080648.16
9	550501.25	4080618.31	10	550507.90	4080589.47
11	550516.26	4080566.82	12	550555.00	4080520.47
13	550569.30	4080514.59	14	550270.22	4080409.05
15	550443.28	4080352.26	16	549971.37	4080319.48
17	550025.09	4080093.58	18	550040.12	4080051.15
19	550051.39	4080055.24	20	550036.62	4080096.98
21	549986.02	4080309.75	22	550146.82	4080341.28
23	550274.70	4080398.71	24	550585.99	4080507.72
25	550597.22	4080503.11	26	550825.76	4080576.91
27	550794.57	4080547.02	28	550819.33	4080503.35
29	550723.28	4080375.37	30	550737.11	4080386.47
31	550825.29	4080502.96	32	550800.94	4080546.10
33	550844.93	4080536.36	34	550597.44	4080509.43
35	550593.09	4080510.21	36	551082.43	4080681.58
37	551075.77	4080691.95	38	550570.39	4080517.06
39	550558.05	4080524.01	40	550520.66	4080569.35
41	550512.71	4080590.90	42	550506.23	4080618.96
43	550505.32	4080647.92	44	550510.89	4080690.41
45	550519.51	4080699.46	46	550568.09	4080709.31
47	550621.49	4080721.42	48	550811.57	4080778.46
49	550801.86	4080930.44	50	551088.91	4080840.27
51	550596.61	4080282.85	52	550211.78	4080065.75
53	550056.77	4080057.92	54	549952.42	4080022.93
55	549906.66	4080057.72	56	549819.00	4080074.26
57	549784.71	4080054.84	58	549663.90	4080068.94
59	549560.69	4080035.72	60	549464.83	4080067.60
61	549408.27	4080059.11	62	549356.03	4080112.51
63	549220.47	4080071.52	64	549011.84	4080060.32
65	548925.48	4080038.85	66	548949.07	4080106.89
67	548627.51	4080026.56	68	548510.08	4079869.27
69	547906.27	4079700.45	70	547502.45	4079753.62
71	548039.40	4080307.31	72	548053.31	4080392.77
73	548066.59	4080382.66	74	548069.00	4080370.18
75	548141.63	4080302.42	76	548205.20	4080331.11
77	548206.89	4080245.04	78	548130.23	4080183.07
79	548281.94	4080108.63	80	548300.05	4080098.27
81	548150.95	4080052.69	82	548177.97	4080011.02
83	548237.18	4080042.72	84	548268.01	4080022.30
85	548348.69	4080310.81	86	548375.50	4080081.02
87	548437.10	4080102.18	88	548476.49	4080159.80
89	548433.20	4080157.52	90	548376.22	4080112.84
91	548373.99	4080160.34	92	548375.29	4080309.93
93	548427.37	4080407.76	94	548445.66	4080418.46
95	548473.29	4080428.24	96	548495.89	4080430.57
97	548561.62	4080426.15	98	548597.11	4080430.91
99	548614.05	4080445.62	100	548695.25	4080457.93
101	548703.28	4080479.60	102	548727.51	4080494.53
103	548745.00	4080517.75	104	548822.17	4080557.89
105	548635.47	4080542.53	106	548845.01	4080530.32
107	548556.01	4080510.82	108	548859.63	4080482.84
109	548857.01	4080459.56	110	548852.63	4080443.55
111	548851.97	4080406.28	112	548834.73	4080371.85
113	548804.56	4080380.52	114	548781.70	4080359.19
115	548766.04	4080382.06	116	548724.47	4080363.50
117	548706.83	4080371.19	118	548673.78	4080374.42
119	548640.51	4080373.38	120	548622.55	4080362.13
121	548583.65	4080327.32	122	548580.66	4080315.32
123	548568.32	4080299.97	124	548555.78	4080281.26
125	548551.90	4080268.93	126	548559.99	4080244.45
127	548568.77	4080227.63	128	548579.58	4080213.93
129	548588.94	4080207.51	130	548630.62	4080202.40
131	548658.99	4080193.22	132	548685.24	4080174.20
133	548708.04	4080167.59	134	548759.13	4080163.54
135	548650.98	4080204.44	136	548804.15	4080222.30
137	548917.03	4080230.33	138	548857.59	4080249.14
139	548954.33	4080205.76	140	548996.90	4080175.33
141	549248.66	4080180.11	142	549359.37	4080202.38
143	548358.82	4080301.93	144	549369.50	4080334.04
145	549370.25	4080367.17	146	549385.55	4080413.36
147	549384.60	4080436.86	148	549377.69	4080454.45
149	549375.45	4080471.56	150	549381.32	4080494.00
151	549405.11	4080538.40	152	549410.16	4080572.14
153	549403.56	4080513.13	154	549391.29	4080510.10
155	548309.59	4080556.77	156	549286.16	4080544.43
157	549271.16	4080606.94	158	549192.27	4080604.82
159	549133.63	4080576.41	160	549009.14	4080596.48
161	549059.54	4080624.93	162	549104.48	4080642.52
163	549141.66	4080654.38	164	549226.91	4080681.18
165	549263.74	4080692.09	166	549292.64	4080717.39
167	549639.85	4080722.09	168	550187.61	4080969.07
169	550198.99	4080743.13	170	550073.34	4080720.43
171	550091.26	4080684.91	172	550187.91	4080629.61
173	550262.38	4080635.41	174	550479.30	4080685.73
175	550443.51	4080785.45	176	550385.21	4080820.82
177	550444.52	4080879.90	178	550475.52	4080906.15

Bölge Müdürlüğü : Antalya

İli : Antalya

İşletme Müdürlüğü : Konyaaltı

İlçesi : Konyaaltı

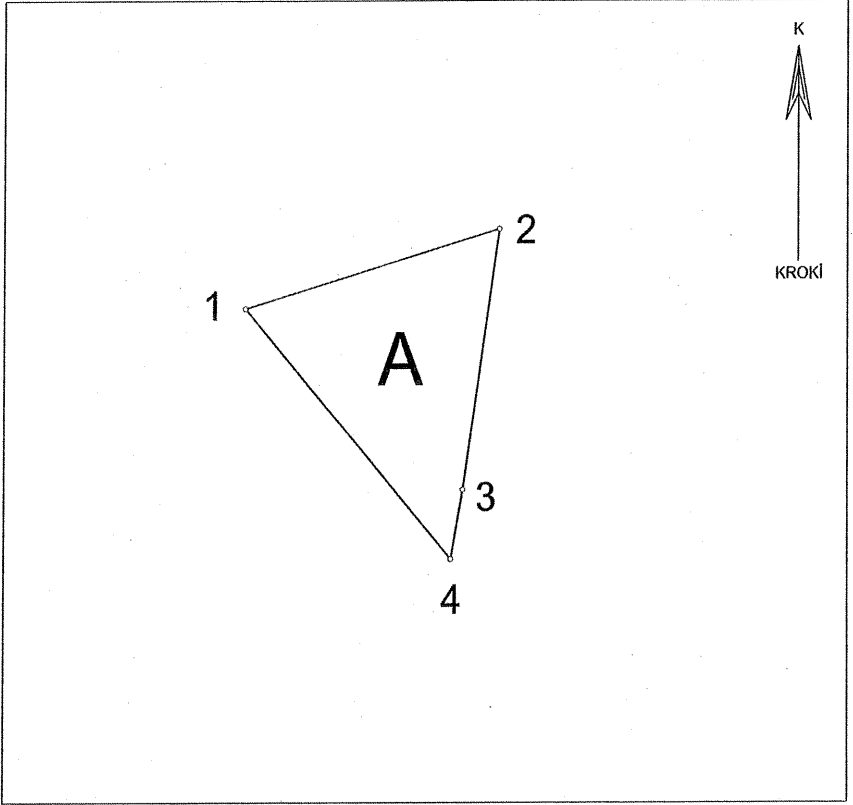
İşletme Şefliği : Konyaaltı

Mahallesi : Çakırlar ve Suiçecek

ÖZET ALAN HESABI

Ada	Parsel	Noktalar	HesapAlan
EK_16	(A)	70,71,72,73,74,75,76,77,78,79, 80,81,82,83,84,85,86,87,88,89, 90,91,92,93,94,95,96,97,98,99, 100,101,102,103,104,105,106, 107,108,109,110,111,112,113, 114,115,116,117,118,119,120, 121,122,123,124,125,126,127, 128,129,130,131,132,133,134, 135,136,137,138,139,140,141, 142,143,144,145,146,147,148, 149,150,151,152,153,154,155, 156,157,158,159,160,161,162, 163,164,165,166,167,168,169, 170,171,172,173,174,175,176, 177,178,1,2,3,4,5,6,7,8,9,10, 11,12,13,14,15,16,17,18,19,20, 21,22,23,24,25,26,27,28,29,30, 31,32,33,34,35,36,37,38,39,40, 41,42,43,44,45,46,47,48,49,50, 51,52,53,54,55,56,57,58,59,60, 61,62,63,64,65,66,67,68,69	1605015.41

İLİ : BURSA
İLÇESİ : İNEGÖL
MAHALLESİ : BOĞAZKÖY

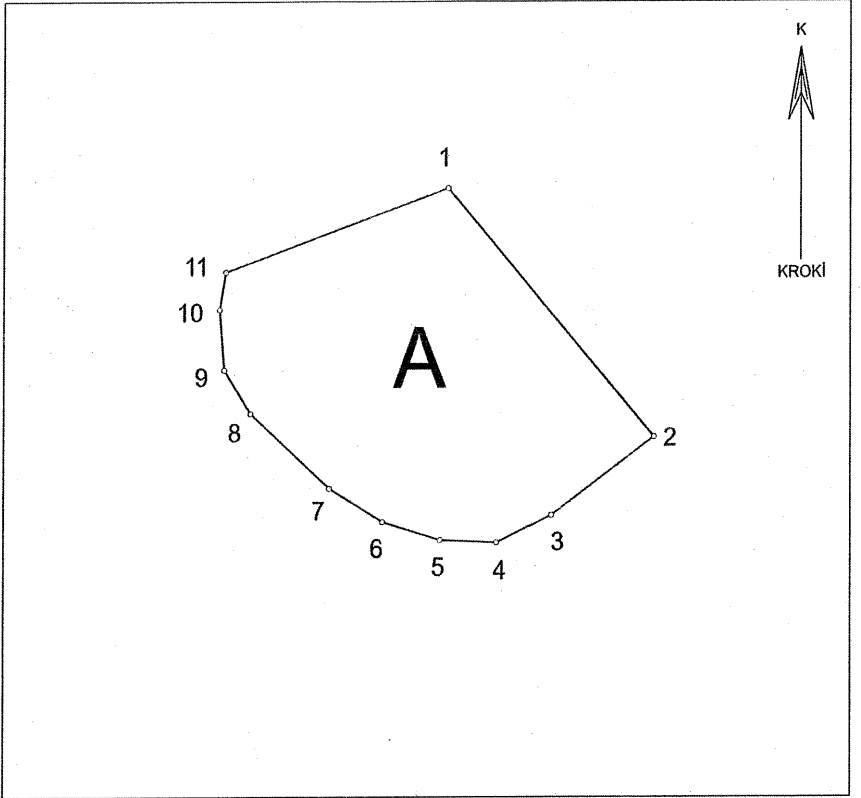


DATUM : ED-50 D.O.M. : 30 Projeksiyon : UTM 3 derece

Ada	Parsel	Noktalar	HesapAlan
157	158-A	1,2,3,4	1984.82

NoktaNo	Y	X	NoktaNo	Y	X
1	460665.09	4447896.81	2	460723.70	4447913.73
3	460715.39	4447858.16	4	460712.63	4447843.32

İLİ : BURSA
İLÇESİ : İNEGÖL
MAHALLESİ : HAMZABEY



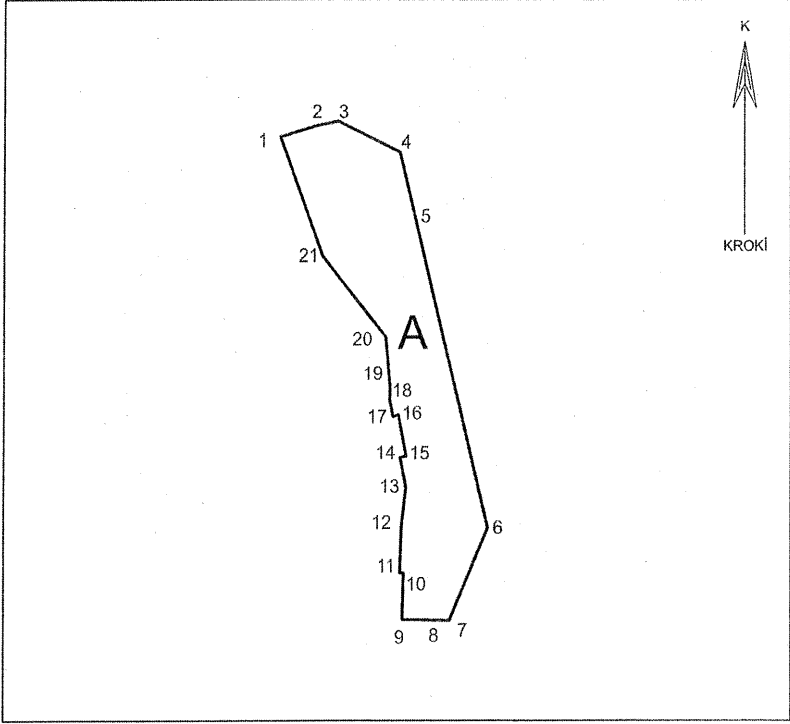
DATUM : ED-50 D.O.M. : 30 Projeksiyon : UTM 3 derece

Ada	Parsel	Noktalar	HesapAlan
175	115-A	1,2,3,4,5,6,7,8,9,10,11	4750.92

NoktaNo	Y	X	NoktaNo	Y	X
1	460665.09	4447896.81	2	460712.63	4447843.32
3	460688.97	4447826.51	4	460676.31	4447820.62
5	460663.30	4447821.16	6	460650.10	4447825.08
7	460637.82	4447832.30	8	460619.69	4447848.42
9	460613.60	4447857.88	10	460612.53	4447870.89
11	460613.95	4447878.87			

İLİ : BURSA
İLÇESİ : BÜYÜKORHAN
MAHALLESİ : YENİCE

RÖLEVE KROKİSİ



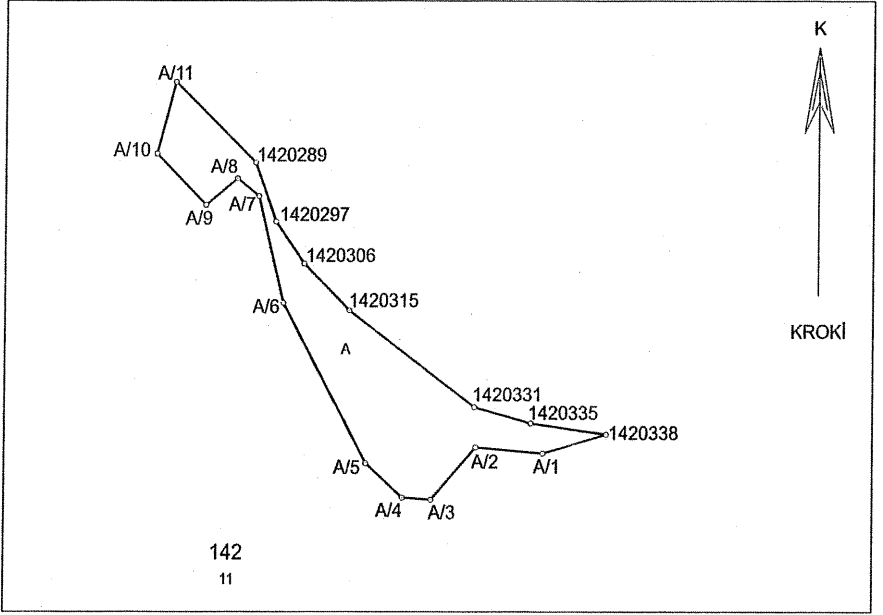
DATUM : ITRF-96 D.O.M. : 30 Projeksiyon : UTM 3 derece

Ada	Parsel	Noktalar	HesapAlan
101	1-A	21,1,2,3,4,5,6,7,8,9,10,11,12, 13,14,15,16,17,18,19,20	2301.21

NoktaNo	Y	X	NoktaNo	Y	X
1	406228.84	4403202.68	2	406238.04	4403205.33
3	406243.21	4403206.31	4	406258.48	4403198.99
5	406262.73	4403181.69	6	406280.37	4403109.95
7	406270.85	4403087.83	8	406266.91	4403087.91
9	406259.16	4403088.08	10	406259.46	4403099.10
11	406258.56	4403099.18	12	406258.95	4403110.20
13	406260.03	4403119.51	14	406258.60	4403126.63
15	406260.08	4403126.95	16	406258.13	4403136.71
17	406256.78	4403136.25	18	406255.97	4403140.45
19	406256.08	4403143.26	20	406254.99	4403155.26
21	406239.32	4403174.54			

Bölge Müdürlüğü : ELAZIĞ
İşletme Müdürlüğü : ELAZIĞ
İşletme Şefliği : BASKİL
Datum : ITRF 96

İli : ELAZIĞ
İlçesi : BASKİL
Köy/Mahalle : KARAALI
Dilim : 39 3°



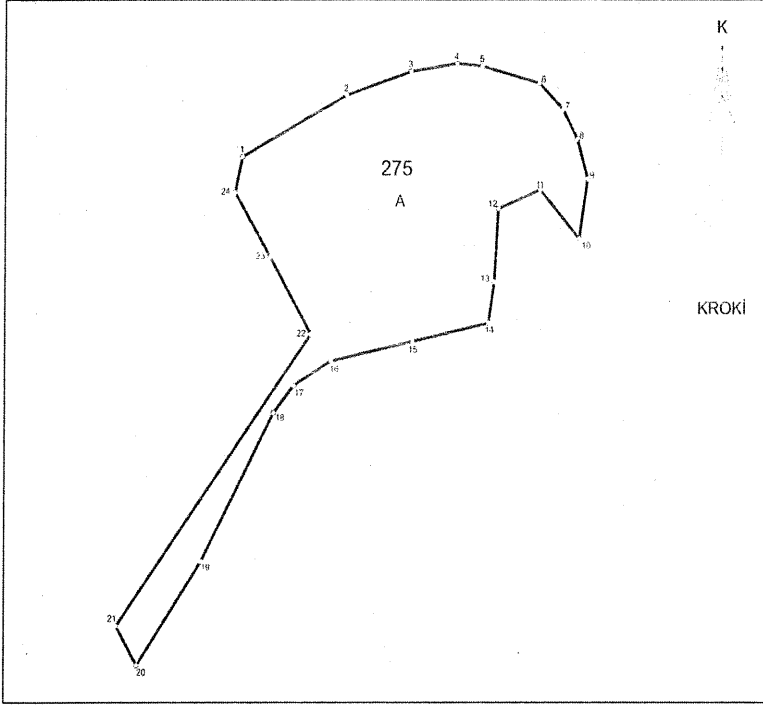
Ada	Parsel	Noktalar	HesapAlan
142	11A	A/5,A/6,A/7,A/8,A/9,A/10,A/11, 1420289,1420297,1420306, 1420315,1420331,1420335, 1420338,A/1,A/2,A/3,A/4	1734.28

NoktaNo	Y	X	NoktaNo	Y	X
1420289	493668.56	4260024.07	1420297	493673.59	4260010.59
1420306	493680.51	4260001.04	1420315	493691.53	4259990.45
1420331	493721.94	4259968.53	1420335	493735.58	4259964.86
1420338	493753.83	4259962.34	A/1	493738.52	4259958.05
A/2	493722.31	4259959.44	A/3	493711.58	4259947.60
A/4	493704.66	4259948.05	A/5	493695.73	4259955.83
A/6	493675.49	4259992.15	A/7	493669.40	4260016.35
A/8	493664.15	4260020.42	A/9	493656.52	4260014.32
A/10	493644.60	4260026.08	A/11	493649.10	4260042.22

Bölge Müdürlüğü : ELAZIĞ
İşletme Müdürlüğü : ELAZIĞ
İşletme Şefliği : ELAZIĞ
Datum : ITRF 96

İli : ELAZIĞ
İlçesi : SİVRİCE
Köy/Mahalle : GÜNBALI
Dilim : 39 3°

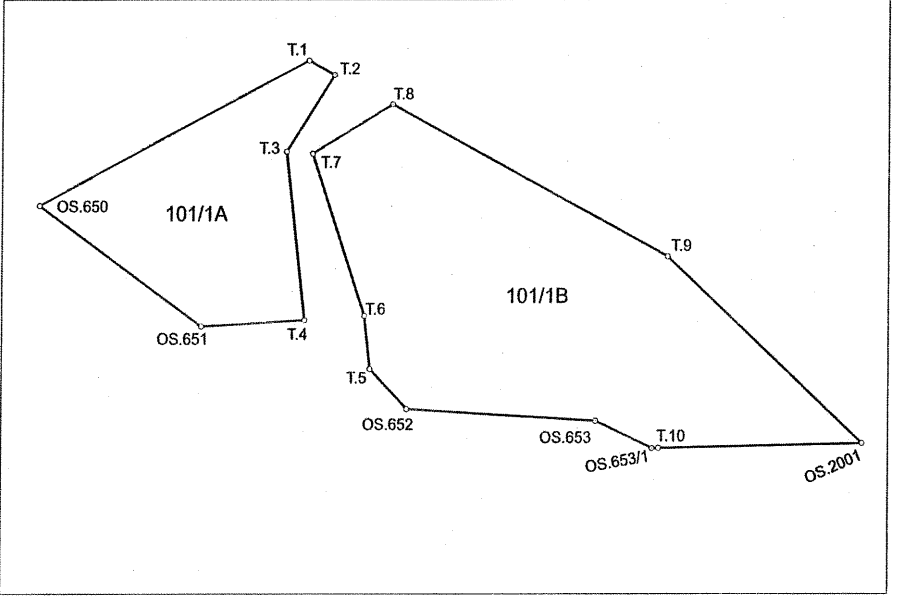
RÖLEVE KROKİSİ



Ada	Parsel	Noktalar	HesapAlan
0	275-A	14,15,16,17,18,19,20,21,22,23, 24,1,2,3,4,5,6,7,8,9,10,11,12, 13	7462.91

Nokta No	Y	X	Nokta No	Y	X
1	511378.93	4259971.56	2	511413.26	4259989.67
3	511434.50	4259996.68	4	511449.68	4259999.01
5	511458.07	4259998.26	6	511476.83	4259993.17
7	511484.72	4259985.38	8	511489.38	4259976.69
9	511492.80	4259964.99	10	511490.03	4259947.56
11	511477.22	4259961.82	12	511463.43	4259956.31
13	511462.07	4259934.95	14	511460.18	4259922.82
15	511435.16	4259917.35	16	511408.32	4259911.65
17	511396.02	4259904.42	18	511389.37	4259896.40
19	511365.48	4259852.82	20	511344.26	4259822.36
21	511337.45	4259833.92	22	511401.68	4259919.56
23	511388.18	4259942.32	24	511376.53	4259961.14

İLİ: ISPARTA
İLÇESİ: MERKEZ
MAHALLESİ: KAYI



DATUM : ITRF-96 D.O.M. : 30 Projeksiyon : UTM 3 derece

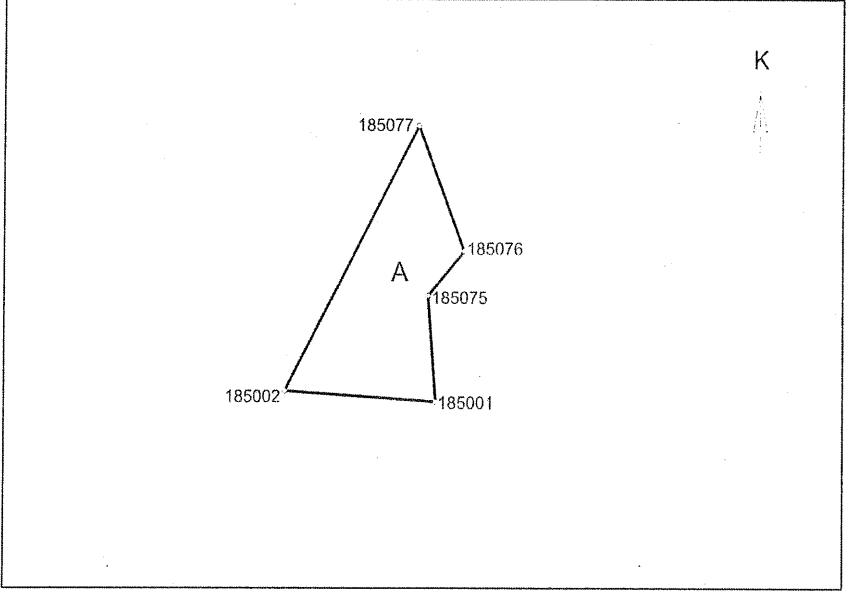
Ada	Parsel	Noktalar	HesapAlan
101	1/A	OS.650,T.1,T.2,T.3,T.4,OS.651	2 5815.44
101	1/B	OS.2001,T.10,OS.653/1,OS.653, OS.652,T.5,T.6,T.7,T.8,T.9	6 2260.40

NoktaNo	Y	X	NoktaNo	Y	X
OS.650	543633.57	4187837.21	OS.651	543768.22	4187743.15
OS.652	543938.55	4187678.90	OS.653	544094.15	4187669.56
OS.653/1	544140.69	4187648.32	OS.2001	544314.53	4187652.19
T.1	543856.12	4187950.24	T.2	543877.35	4187938.99
T.3	543838.12	4187879.12	T.4	543853.42	4187748.03
T.5	543907.78	4187709.88	T.6	543902.99	4187751.42
T.7	543859.49	4187877.60	T.8	543925.76	4187915.94
T.9	544153.01	4187797.39	T.10	544146.07	4187648.42

BÖLGE MÜDÜRLÜĞÜ : KAHRAMANMARAŞ
İŞLETME MÜDÜRLÜĞÜ : ANDIRIN
İŞLETME ŞEFLİĞİ : ANDIRIN
DATUM : ED-50

İLİ: KAHRAMANMARAŞ
İLÇESİ: ANDIRIN
KÖY/MAH.: TUFANPAŞA
DİLİM : 36-3

RÖLEVE KROKİSİ



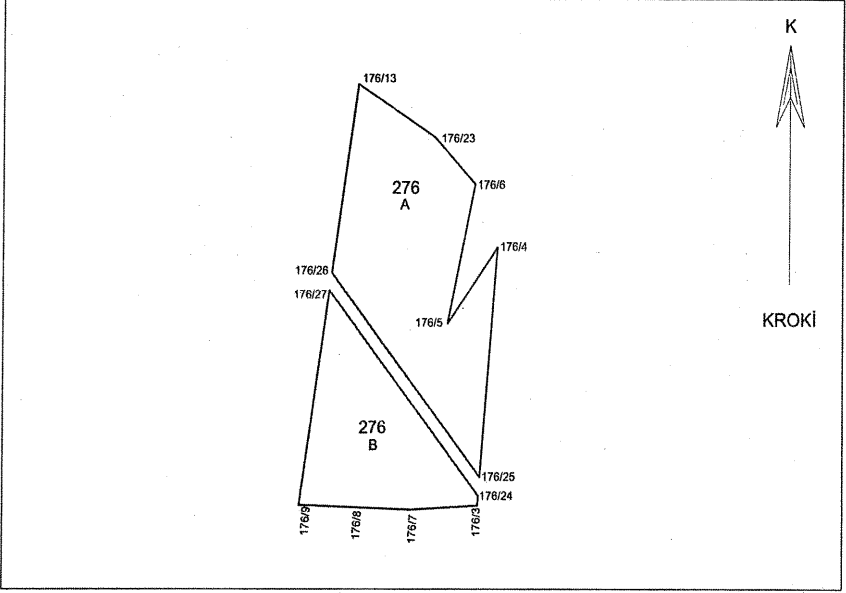
Ada	Parsel	Noktalar	HesapAlan
185	11-A	185002,185077,185076,185075, 185001	6612.85

NoktaNo	Y	X	NoktaNo	Y	X
185001	532923.32	4163075.25	185002	532841.87	4163080.78
185075	532919.04	4163129.95	185076	532938.39	4163152.93
185077	532913.90	4163217.21			

BÖLGE MÜDÜRLÜĞÜ : KAHRAMANMARAŞ
İŞLETME MÜDÜRLÜĞÜ : ANDIRIN
İŞLETME ŞEFLİĞİ : ANDIRIN
DATUM : 3 İTRF'96

İLİ: KAHRAMANMARAŞ
İLÇESİ: ANDIRIN
KÖY/MAH.: YENİMAHALLE
DİLİM : 36

RÖLEVE KROKİSİ



Ada	Parsel	Noktalar	HesapAlan
276	A	176/26,176/13,176/23,176/6, 176/5,176/4,176/25	8366.00
276	B	176/27,176/24,176/3,176/7, 176/9	4902.28

NoktaNo	Y	X	NoktaNo	Y	X
176/3	532058.37	4161994.68	176/4	532068.01	4162117.48
176/5	532042.92	4162081.31	176/6	532056.57	4162147.28
176/7	532024.35	4161992.74	176/9	531968.13	4161994.93
176/13	531997.43	4162194.49	176/23	532036.17	4162169.44
176/24	532058.73	4161999.30	176/25	532059.43	4162008.22
176/26	531984.36	4162105.49	176/27	531983.15	4162097.23

Bölge Müdürlüğü : Konya

İli : Konya

İşletme Müdürlüğü : Hadım

İlçesi : Ahırlı

İşletme Şefliği : Ahırlı

Mahallesi : Merkez

Datum : ITRF33-3

Dilim : 33

KOORDİNE ÖZET ÇİZELGESİ

NoktaNo	Y	X	NoktaNo	Y	X
A.3	422507.59	4122278.32	A.2	422413.22	4122375.88
A.1	422397.91	4122410.66	184/0415	422397.25	4122426.96
184/0416	422384.67	4122438.67	184/0417	422381.45	4122440.71
184/0418	422378.11	4122441.36	184/0419	422370.41	4122440.73
184/0420	422359.59	4122446.98	184/0421	422344.52	4122453.22
184/0427	422341.42	4122478.07	184/0426-1	422340.32	4122474.65
184/0426	422337.01	4122470.05	184/0422	422335.32	4122456.06
184/0425	422334.24	4122466.38	184/0423	422332.92	4122458.41
184/0424	422332.78	4122462.72	184/0428	422329.92	4122482.49
A.4	422329.84	4122082.90	184/0429	422323.78	4122485.31
A.7	422322.42	4122274.59	184/0430	422321.33	4122486.75
A.8	422309.91	4122322.66	184/0431	422291.80	4122511.24
184/0432	422268.71	4122530.60	A.6	422262.15	4122268.63
A.5	422253.57	4122212.26	184/0433	422236.60	4122557.86
184/0434	422216.01	4122576.00	A.9	422187.30	4122427.13
184/0435	422180.70	4122601.00	184/0436	422160.62	4122615.67
184/0437	422145.90	4122630.20	184/0438	422129.81	4122645.62
184/0439	422104.54	4122670.41	A.10	422087.62	4122459.81
184/0440	422072.73	4122701.97	184/0443	422055.31	4122747.01
184/0441	422048.23	4122725.91	184/0442	422044.61	4122732.62
184/0444	422038.75	4122758.84	OS.9/2	422015.37	4122775.97
A.11	421993.69	4122588.48	OS.9/1	421887.71	4122853.33
184/0445	421884.63	4122854.39	184/0446	421868.21	4122870.04
OS.9	421868.04	4122870.20	OS.8	421777.93	4122841.72
A.12	421757.78	4122620.64	OS.7	421725.30	4122776.52
OS.6	421713.64	4122681.36			

Bölge Müdürlüğü : Konya

İli : Konya

İşletme Müdürlüğü : Hadim

İlçesi : Ahırlı

İşletme Şefliği : Ahırlı

Mahallesi : Merkez

Datum : ITRF33-3

Dilim : 33

ÖZET ALAN HESABI

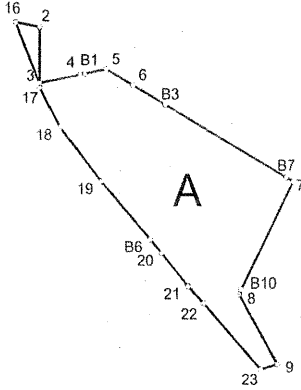
Ada	Parsel	Noktalar	HesapAlan
184	1/A	OS.9/1,OS.9/2,184/0444, 184/0443,184/0442, 184/0441,184/0440, 184/0439,184/0438, 184/0437,184/0436, 184/0435,184/0434, 184/0433,184/0432, 184/0431,184/0430, 184/0429,184/0428, 184/0427,184/0426-1, 184/0426,184/0425, 184/0424,184/0423, 184/0422,184/0421, 184/0420,184/0419, 184/0418,184/0417, 184/0416,184/0415,A.1, A.2,A.3,A.4,A.5,A.6,A.7, A.8,A.9,A.10,A.11,A.12, OS.6,OS.7,OS.8,OS.9, 184/0446,184/0445	170593.70

İli
İlçesi
Mahallesi

MERSİN
TARSUS
SUCULAR

RÖLEVE KROKİSİ

K
A
A



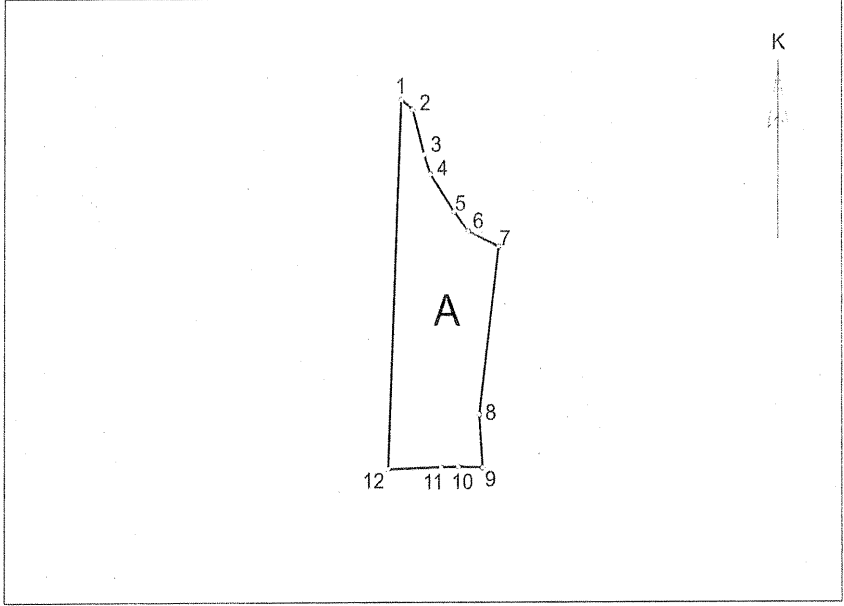
DATUM : ITRF-96 D.O.M. : 36 Projeksiyon : UTM 3 derece

Ada	Parsel	Noktalar	HesapAlan
101	9-A	16,2,3,4,B1,5,6,B3,B7,7,B10,8, 9,23,22,21,20,B6,19,18,17	1034.76

NoktaNo	Y	X	NoktaNo	Y	X
2	396889.22	4092114.85	3	396889.22	4092104.83
4	396896.88	4092106.35	5	396901.72	4092107.32
6	396906.74	4092104.45	7	396936.72	4092087.32
8	396926.71	4092067.33	9	396933.87	4092054.80
16	396884.69	4092115.73	17	396889.26	4092104.01
18	396893.12	4092097.01	19	396900.89	4092087.36
20	396912.22	4092074.65	21	396917.17	4092068.71
22	396920.10	4092065.73	23	396930.77	4092053.86
B1	396897.66	4092106.51	B3	396912.76	4092101.01
B6	396910.08	4092077.10	B7	396935.40	4092088.07
B10	396927.11	4092068.14			

İli : Muğla
İlçesi : Bodrum
Köy/Mahalle : Dağdelen

RÖLEVE KROKİSİ



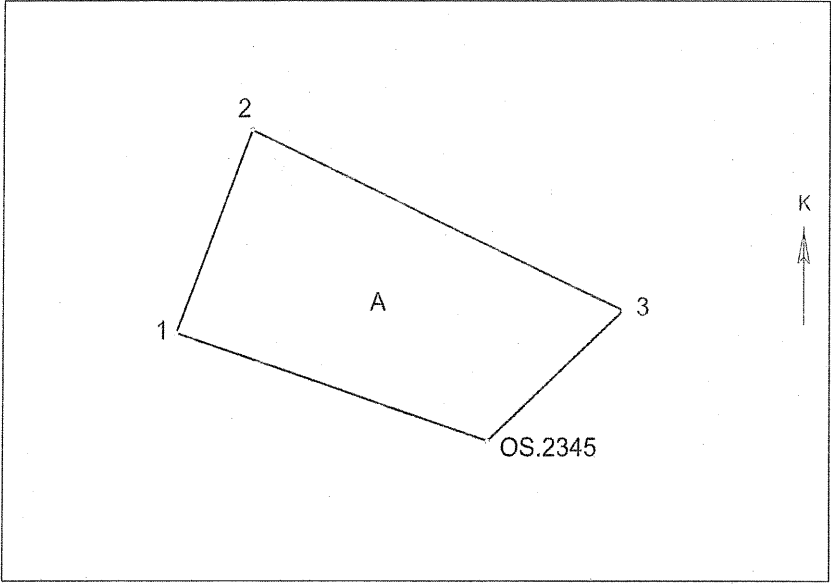
DATUM : ITRF D.O.M. : 27 Projeksiyon : UTM 3 derece

Ada	Parsel	Noktalar	HesapAlan
2		12,1,2,3,4,5,6,7,8,9,10,11	1083.74

NoktaNo	Y	X	NoktaNo	Y	X
1	529791.39	4106025.60	2	529793.78	4106023.77
3	529796.22	4106015.07	4	529797.50	4106011.38
5	529802.53	4106004.07	6	529805.54	4106000.32
7	529811.98	4105997.37	8	529807.88	4105965.11
9	529808.59	4105954.86	10	529803.44	4105955.06
11	529799.79	4105954.94	12	529788.63	4105954.54

İli : MUĞLA
İlçesi : FETHİYE
Köyü : ELDİREK

RÖLEVE KROKİSİ



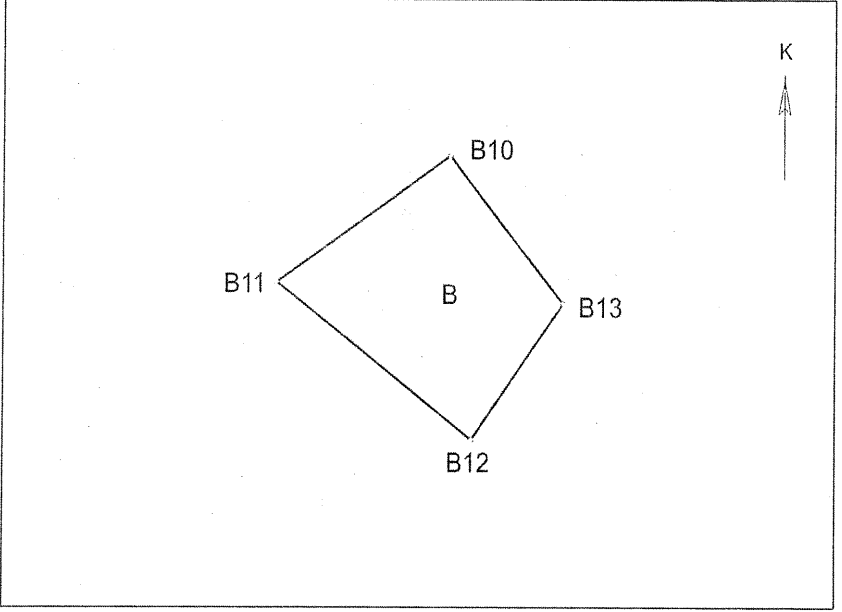
DATUM : ITRF D.O.M. : 30 Projeksiyon : UTM 3 derece

Ada	Parsel	Noktalar	HesapAlan
106	1-A	OS.2345,1,2,3	868.29

NoktaNo	Y	X	NoktaNo	Y	X
1	426933.36	4059778.99	2	426941.94	4059800.49
3	426984.11	4059781.40	OS.2345	426968.77	4059767.55

İli : MUĞLA
İlçesi : FETHİYE
Köyü : ELDİREK

RÖLEVE KROKİSİ



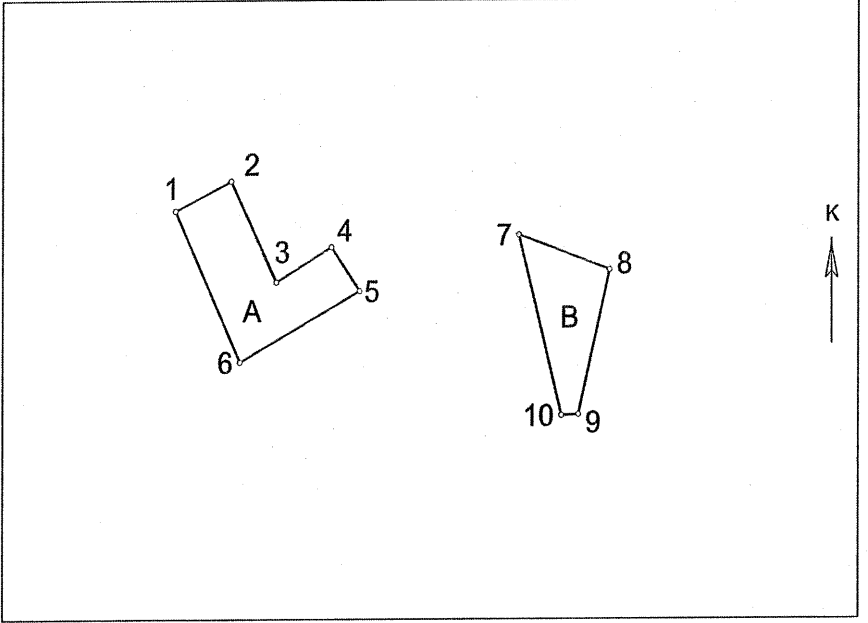
DATUM : ITRF D.O.M. : 30 Projeksiyon : UTM 3 derece

Ada	Parsel	Noktalar	HesapAlan
106	1-B	B10,B13,B12,B11	462.60

NoktaNo	Y	X	NoktaNo	Y	X
B10	428440.52	4061185.34	B11	428420.88	4061172.62
B12	428442.98	4061156.62	B13	428453.28	4061170.40

İli : MUĞLA
İlçesi : FETHİYE
Köyü : KARAÇULHA

RÖLEVE KROKİSİ



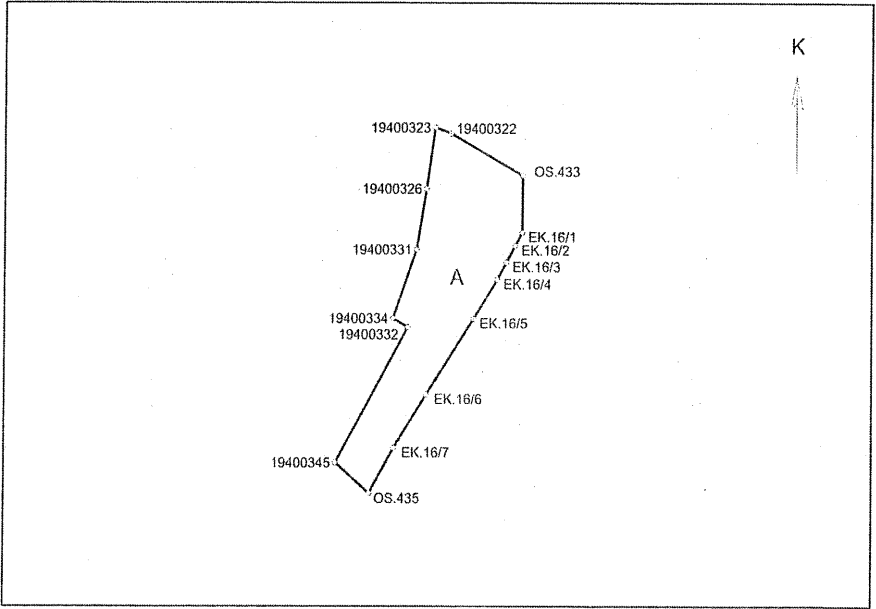
DATUM : ITRF D.O.M. : 30 Projeksiyon : UTM 3 derece

Ada	Parsel	Noktalar	HesapAlan
2167	1-A	1,2,3,4,5,6	291.32
2167	1-B	7,8,9,10	178.75

NoktaNo	Y	X	NoktaNo	Y	X
1	429379.79	4060126.10	2	429388.21	4060130.21
3	429395.03	4060116.28	4	429403.35	4060121.09
5	429407.65	4060115.04	6	429389.54	4060105.31
7	429431.70	4060122.72	8	429445.37	4060117.90
9	429440.68	4060098.08	10	429438.13	4060097.95

İli : SİNOP
İlçesi : DİKMEN
Köyü : KARAAĞAÇ

RÖLEVE KROKİSİ



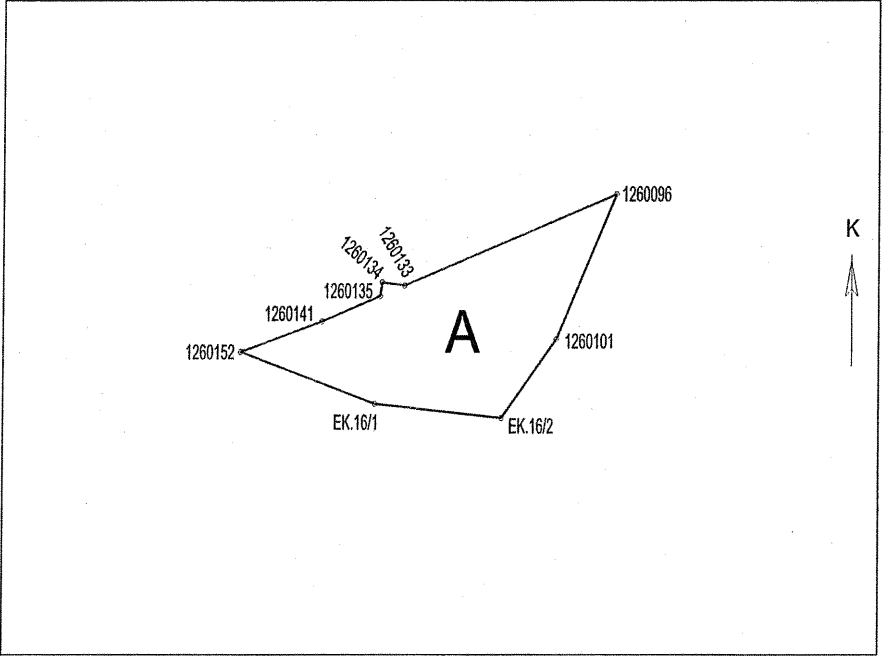
DATUM : ITRF D.O.M. : 36 Projeksiyon : UTM 3 derece

Ada	Parsel	Noktalar	HesapAlan
220	1-A	19400323,19400322,OS.433, EK.16/1,EK.16/2,EK.16/3, EK.16/4,EK.16/5,EK.16/6, EK.16/7,OS.435,19400345, 19400332,19400334,19400331, 19400326	2217.96

NoktaNo	Y	X	NoktaNo	Y	X
19400322	447003.61	4615910.21	19400323	446998.68	4615911.93
19400326	446996.06	4615894.20	19400331	446993.09	4615876.38
19400332	446990.46	4615853.76	19400334	446985.88	4615856.36
19400345	446968.21	4615814.30	EK.16/1	447025.66	4615881.39
EK.16/2	447023.53	4615877.50	EK.16/3	447020.83	4615872.63
EK.16/4	447018.06	4615867.67	EK.16/5	447010.77	4615856.22
EK.16/6	446996.21	4615834.26	EK.16/7	446986.21	4615818.60
OS.433	447025.77	4615898.06	OS.435	446978.66	4615805.40

İli : SİNOP
İlçesi : MERKEZ
Köyü : ABALI

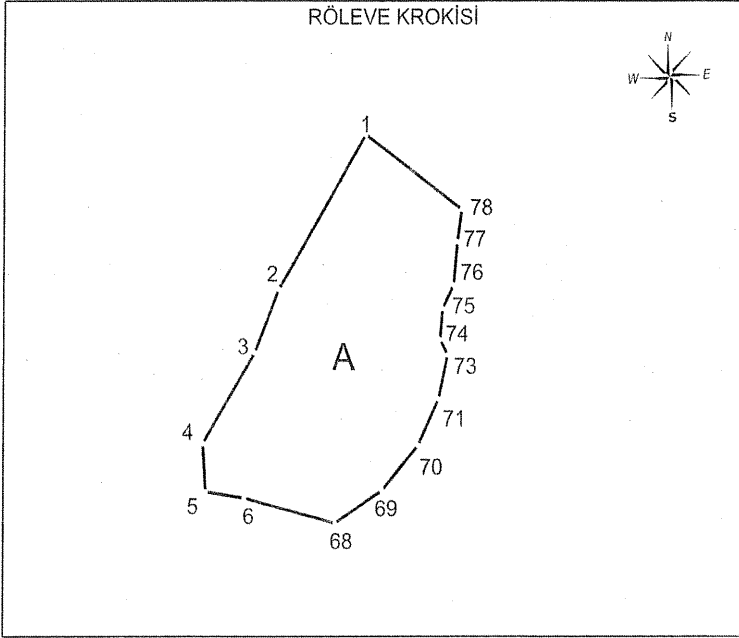
RÖLEVE KROKİSİ



DATUM : ITRF D.O.M. : 36 Projeksiyon : UTM 3 derece

Ada	Parsel	Noktalar	HesapAlan
126	2-A	1260152,1260141,1260135, 1260134,1260133,1260096, 1260101,EK.16/2,EK.16/1	367.70

NoktaNo	Y	X	NoktaNo	Y	X
1260096	420606.62	4656516.17	1260101	420600.26	4656502.55
EK.16/2	420594.38	4656495.12	1260133	420583.94	4656507.57
1260134	420581.55	4656507.87	1260135	420581.32	4656506.58
EK.16/1	420580.78	4656496.45	1260141	420575.08	4656504.21
1260152	420566.40	4656501.34			

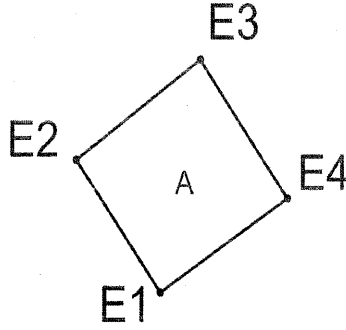


Ada Parsel	Hesap Alan	Nokta No	Y	X	Cephe
117/179-A	2206.56	1	533172.45	4524995.24	33.23
		2	533155.03	4524966.94	12.76
		3	533150.26	4524955.10	19.55
		4	533139.92	4524938.50	8.92
		5	533140.48	4524929.60	7.82
		6	533148.20	4524928.40	18.81
		68	533166.42	4524923.71	11.25
		69	533175.87	4524929.81	11.00
		70	533183.09	4524938.10	9.47
		71	533187.21	4524946.63	8.29
		73	533189.00	4524954.72	3.18
		74	533187.50	4524957.52	5.85
		75	533187.99	4524963.35	4.80
		76	533190.17	4524967.63	8.09
		77	533190.92	4524975.68	6.01
78	533191.79	4524981.62	23.65		

Bölge Müdürlüğü: Trabzon Orman Bölge Müdürlüğü
İşletme Müdürlüğü: Maçka Orman İşletme Müdürlüğü
İşletme Şefliği: Yeşiltepe Orman İşletme Şefliği
Datum: ITRF96

İli: Trabzon
İlçesi: Maçka
Köy/Mahalle: Kaynarca Mahallesi
Dilim: 39

RÖLEVE KROKİSİ

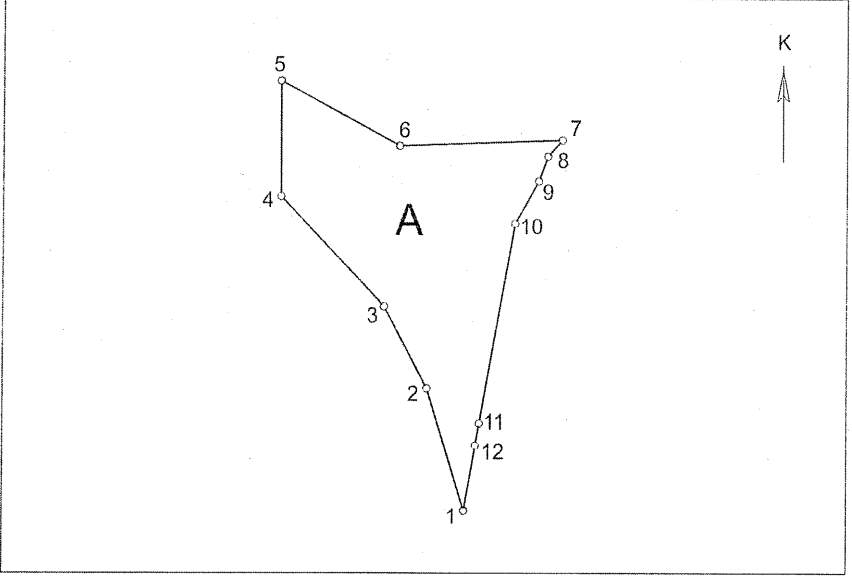


Ada Parsel	Hesap Alan	Nokta No	Y	X
121/1-A	205.34	E1	554524.05	4530113.75
		E2	554515.81	4530124.88
		E3	554527.88	4530133.13
		E4	554536.35	4530121.59

İli : Yozgat
İlçesi : Sorgun
Köy/Mahalle : Çiğdemli-Gülveren
Dilim : 36

Bölge Müdürlüğü : Kayseri
İşletme Müdürlüğü : Yozgat
İşletme Şefliği : Sorgun
Datum : ITRF(96)

RÖLEVE KROKİSİ



DATUM : ITRF D.O.M. : 36 Projeksiyon : UTM 3 derece

Ada	Parsel	Noktalar	HesapAlan
101	633-A	3,4,5,6,7,8,9,10,11,12,1,2	5111.97

NoktaNo	Y	X	NoktaNo	Y	X
1	439178.44	4410031.31	2	439165.94	4410070.39
3	439151.61	4410096.56	4	439117.17	4410131.74
5	439117.01	4410168.69	6	439156.61	4410147.96
7	439210.65	4410149.82	8	439205.88	4410144.53
9	439202.89	4410136.57	10	439195.14	4410123.04
11	439183.52	4410059.20	12	439182.23	4410052.16